

BVC140x4 and BVC140x4 (01) barriers assembly and installation manual

Read this manual carefully before performance of work.

The BVC140x4 and BVC140x4 (01) barriers are delivered partially assembled. The algorithm for assembling BVC140x4 elements is as follows:

1. Insert the two black cross-sections against the stop into the posts holes (Fig. 1). The axes of the through circular holes in the crossbars both here and later on must be placed vertically. You can start from any section of the barrier.
2. Insert the crossbars of the two sections against the stop into the holes of the remaining posts (Fig. 2). All crossbar holes inside each of the posts must be coaxial.
3. Jam the crossbars of the sections with 32 mm diameter gray pipes through the holes of the crossbars inside the posts (Fig. 3). For convenience, you can use auxiliary materials (rod, reinforcement, etc.).
4. Before commencing installation of the last section, the structure assembled at this stage must be put in the place of future installation around the protected column (Fig. 4)

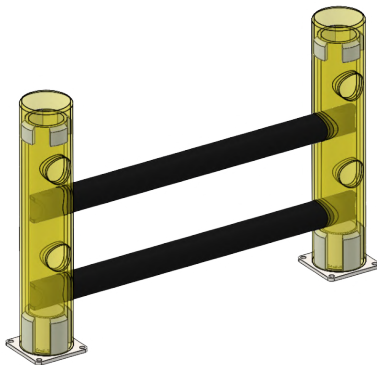


Figure 1. Installation of the first pair of crossbars into the posts.

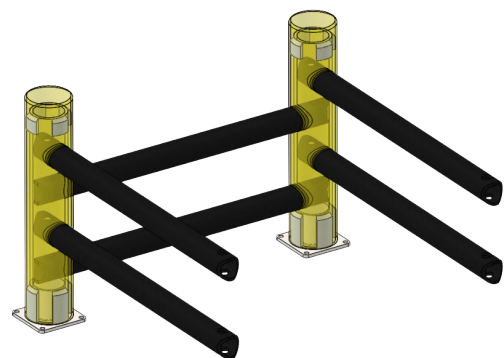


Figure 2. Installation of the next pairs of crossbars.

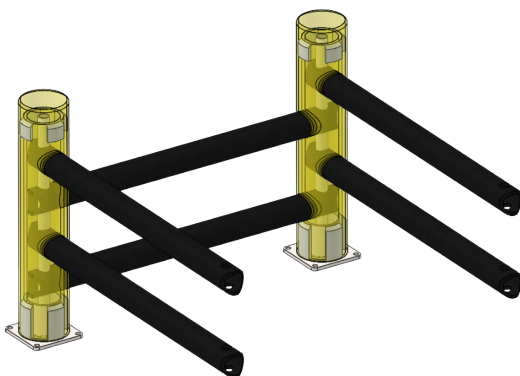


Figure 3. Jamming the crossbars inside the post with 32 mm diameter pipes.

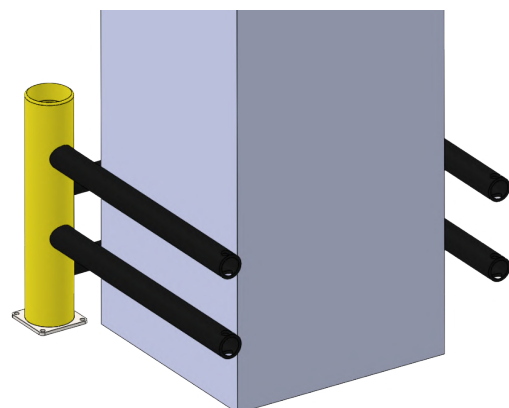


Figure 4. Barrier placement at the further installation place

BVC140x4 and BVC140x4 (01) barriers assembly and installation manual

5. Similarly, install and fix the last section of the barrier with 32 mm diameter pipes (Figs. 5 and 6).
6. Cover the tops of the posts with caps. To fix the caps, drill 7 mm diameter holes at a distance of 20 mm from the top of the post in one plane and insert the screws (Fig. 7).
7. After assembly, the barrier must be fixed to the foundation with self-tapping anchors, which are supplied as component parts. To mark the holes, it is recommended to use the holes in the metal supports of the barrier as templates.

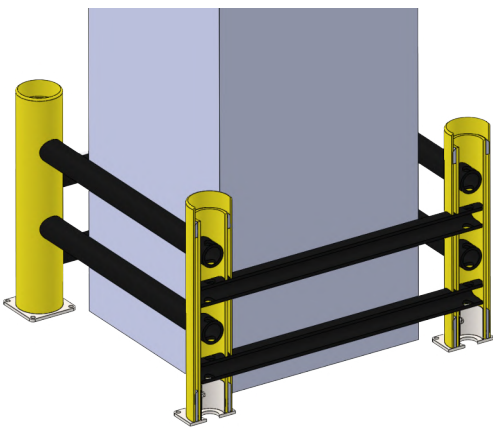


Figure 5. Installation of the finite section

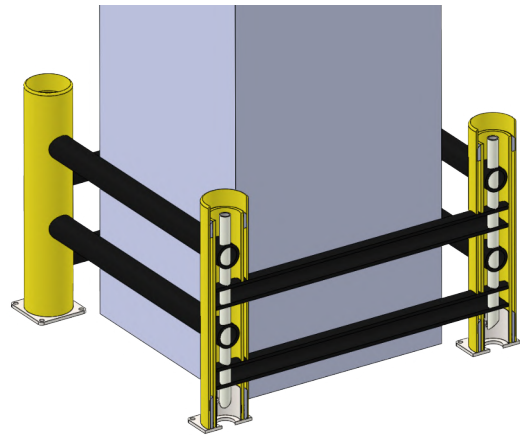


Figure 6. Jamming of the finite element

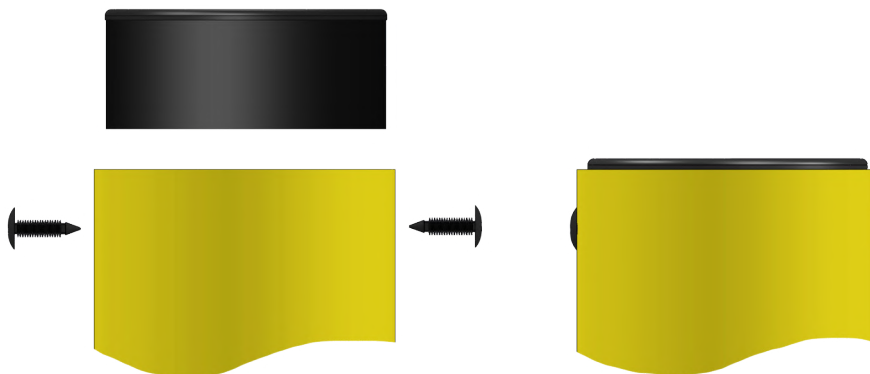


Figure 7. Installation of post caps

BVC140x4 and BVC140x4 (01) barriers assembly and installation manual

- When drilling the foundation, it is recommended to move the metal support away. Make holes in the concrete surface with a 10 mm drill to a depth of at least 100 mm (Fig. 8.1). If larger diameter drill bits are used, the self-tapping anchor will lose its efficiency during the barrier service.
- Remove the drilling products from the drilled holes (Fig. 8.2).
Install the barrier support on the prepared place and tighten the self-tapping anchors (Fig. 8.3 and 8.4). The properly installed self-tapping anchor will screw in tightly, so it is recommended to use an impact wrench with a flexible shaft.
- The impact wrench for screwing the self-tapping anchors which are supplied as component parts must provide a torque of 950 Nm and higher.

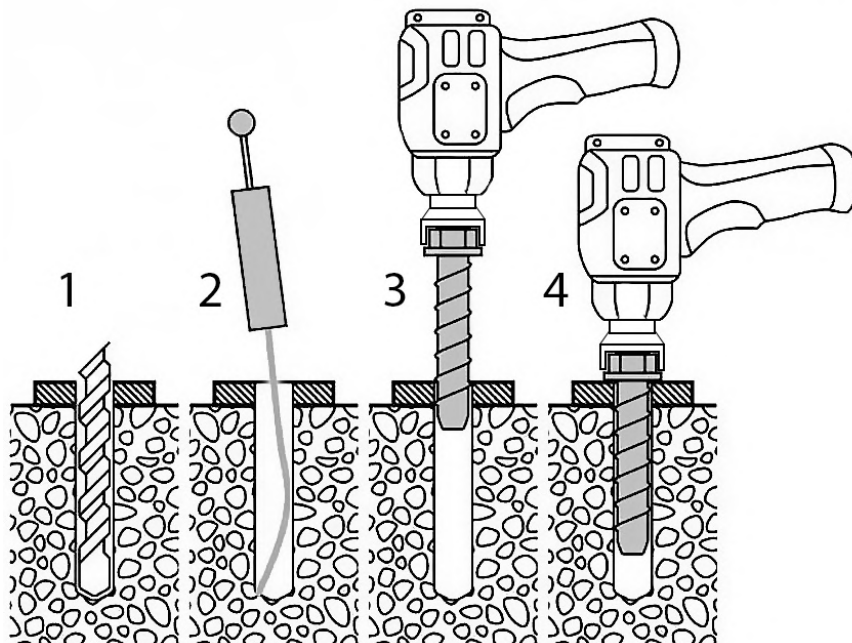


Figure 8. Barrier fixing

The BVC140x4(01) barrier is assembled and installed in the same way.