

# BCorner140 barriers assembly manual

**Read this manual carefully before performance of work.**

The barrier is delivered assembled and is equipped with self-tapping anchors (Fig. 1).



**Figure 1.** Self-tapping anchor.

The barrier must be fixed to the foundation with self-tapping anchors, which are supplied as component parts. To ensure the top efficiency of flexible protection with BCC125 barriers, they must be installed with the interval between the posts and the protected objects not less than 120-140mm.

To mark the holes, it is recommended to use the holes in the metal supports of the barrier as templates.

Before foundation drilling, it is recommended to move the metal support away. Make holes in the concrete surface with a 10 mm drill to a depth of at least 100 mm (Fig. 2.1). If larger diameter drill bits are used, the self-tapping anchor will lose its efficiency during the barrier service.

Remove the drilling products from the drilled holes (Fig. 2.2).

Install the barrier support on the prepared place and tighten the self-tapping anchors (Fig. 2.3 and 2.4). The properly installed self-tapping anchor will screw in tightly, so it is recommended to use an impact wrench with a flexible shaft.

The impact wrench for screwing the self-tapping anchors which are supplied as component parts must provide a torque of 950 Nm and higher.

# BCorner140 barriers assembly manual

---

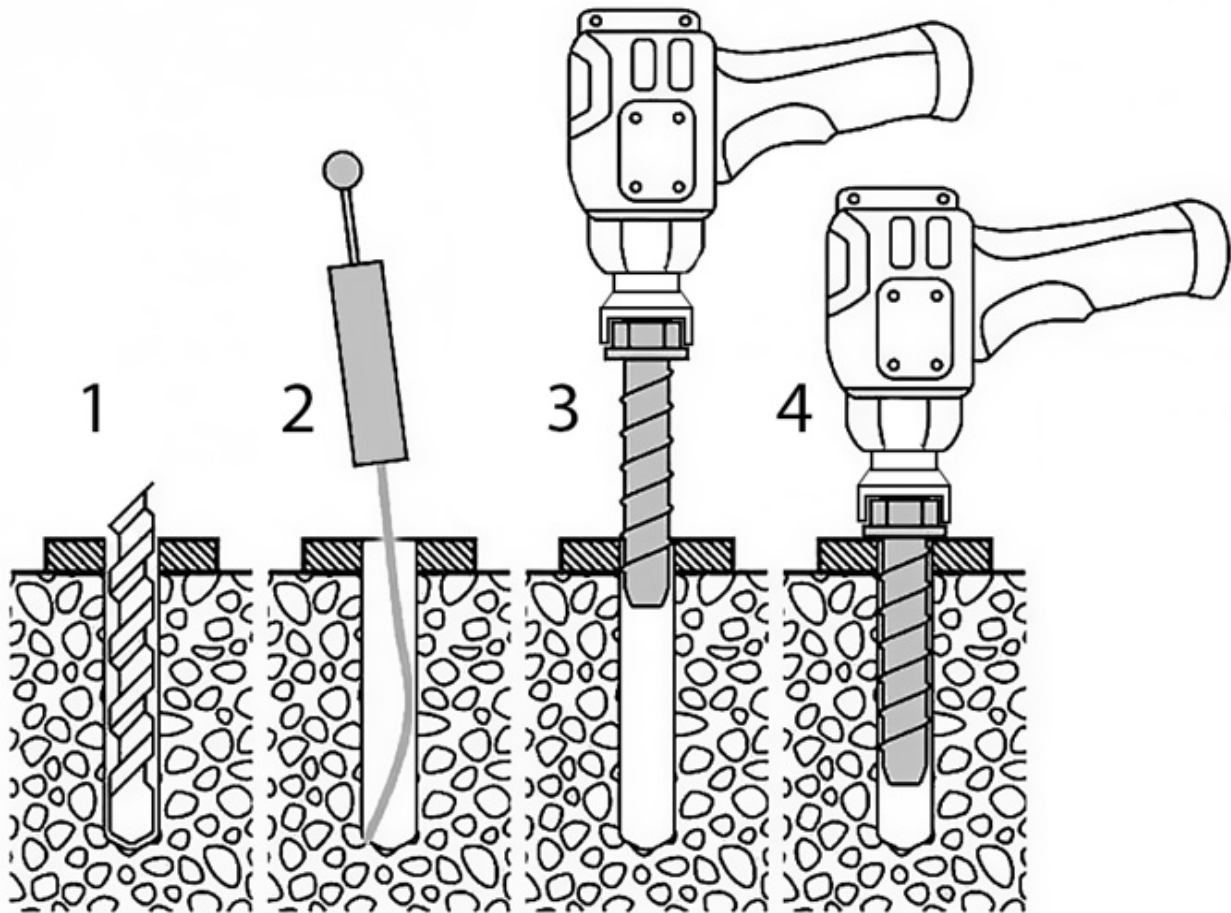


Figure 2. Barrier fixing.